

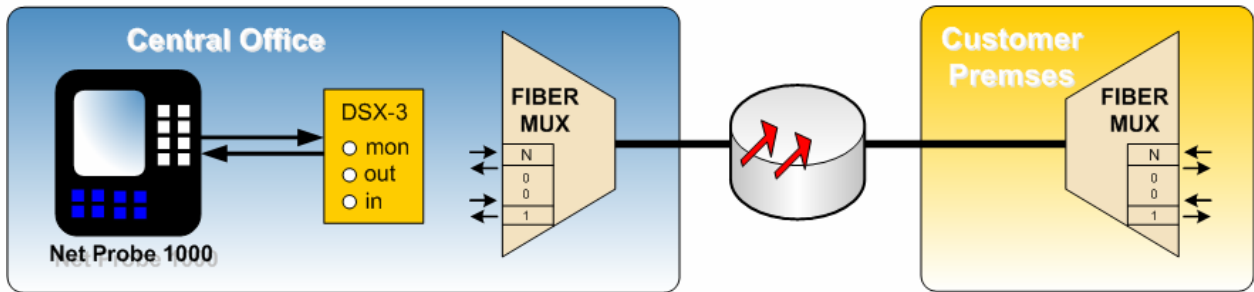
NET RESEARCH

NetProbe 1000 T3

Digital Communications Analyzer

- ❖ Includes all features of T-STAR 2000 T1E1
- ❖ Multifunctional analysis of T3, E3, T1, E1 and DSO
- ❖ Single transmitter and receiver
- ❖ Independent T1 and/or E1 testing
- ❖ M13, C-bit, Unframed
- ❖ T3 BERT with error injection
- ❖ Mux. demux T1 BERT
- ❖ Alarm simulation
- ❖ Portable, lightweight and handheld
- ❖ High brightness and contrast LCD screen
- ❖ Long lasting Lithium Ion battery
- ❖ Downloadable software options
- ❖ T3 line monitoring of frequency, clock slips, signal level and error performance.

DS3 Service Acceptance

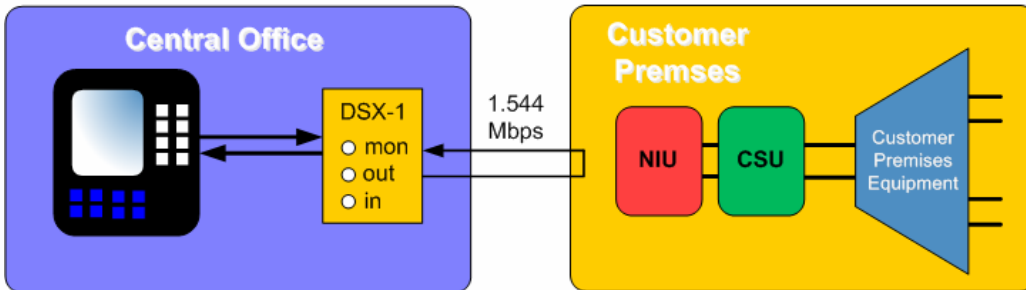


DS1 Service Acceptance

The Net Probe – T3 supports your DS1 service acceptance requirements, too. In-band and ESF data link loopback commands let you loop up a CSU or NIU to measure span performance. A broad range of measurements including bit errors, bit error rate, errored seconds, level, frequency and frame slips, let you verify and trouble shoot new DS1 service. Specialized tests such as the quick test and bridge tap test save you time and effort while further stressing a span for conformance. A rich selection of stress patterns such as QRS, 55 octet, 3-in-24, all ones, all zeroes, 1-in-8 and T1 through T6 let you emulate the toughest customer data.

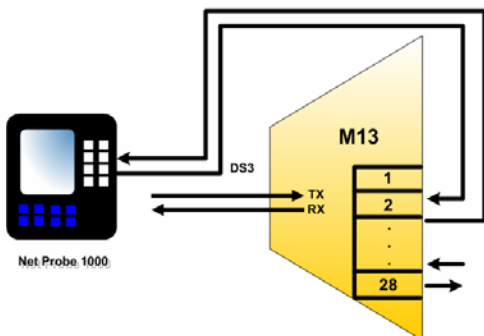
DS3 Service Acceptance

DS3 service installation and acceptance is a snap with the Net Probe – T3. Simply plug into the DSX-3 or other circuit access point in the office. Then loop back the circuit by placing a hatwire loop at the customer premises or by transmitting a DS3 loopback code. Verify that the circuit performs within your error rate limits.





M 13 Multiplex

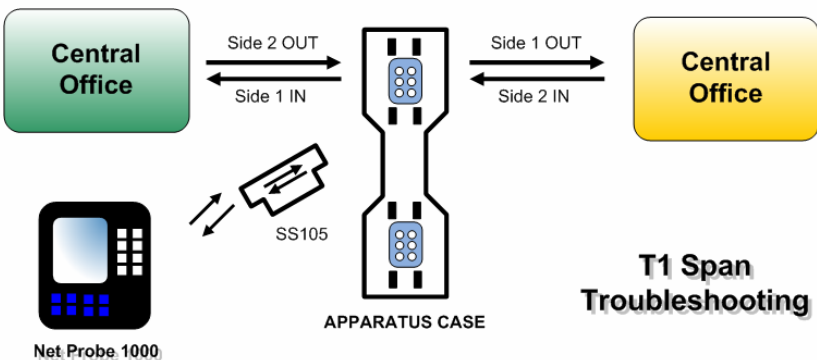


M 13 Multiplex

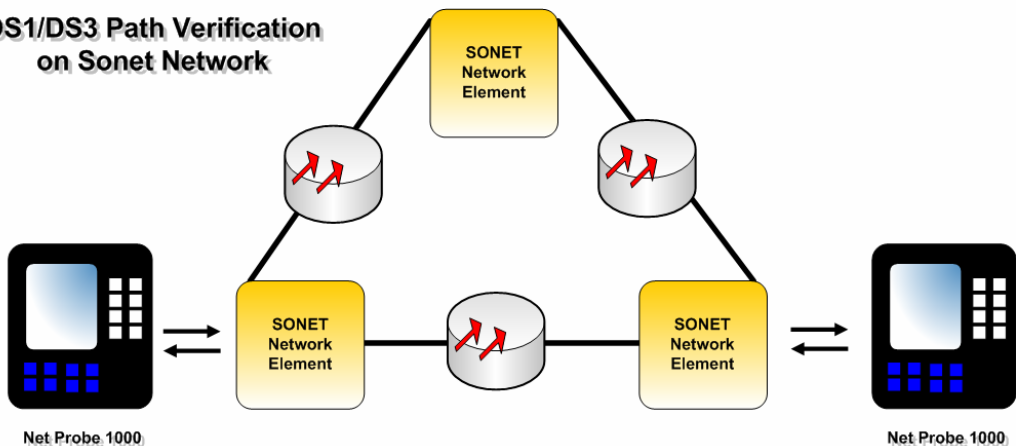
DS3 and DS1 signal interfaces let you test right through a multiplex to verify DS3 and DS1 channel performance. M13 and C-bit parity loopback codes allow you to make the most of embedded loopback capabilities in the multiplex itself.

T1 Span Troubleshooting

Full -36 dB receiver sensitivity lets you verify T1 performance out at the apparatus case. The SS105 Repeater Extender lets you transmit and receive in terminated or bridged configurations.



DS1/DS3 Path Verification on Sonet Network



DS1/DS3 Path Verification on SONET Network

Many SONET networks have DS3 and DS1 connections to the end equipment. In this environment, the DS3 and DS1 interfaces on the Net Probe – T3 give you the practical capabilities you need to verify your SONET network connections and performance.

